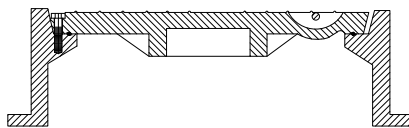
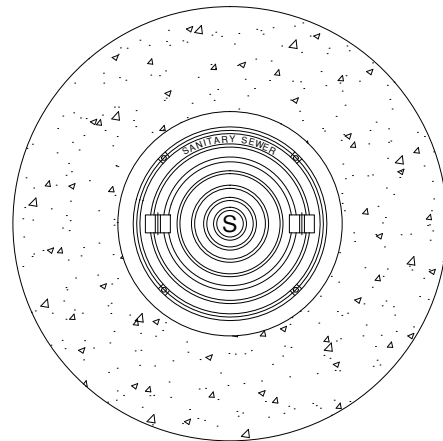
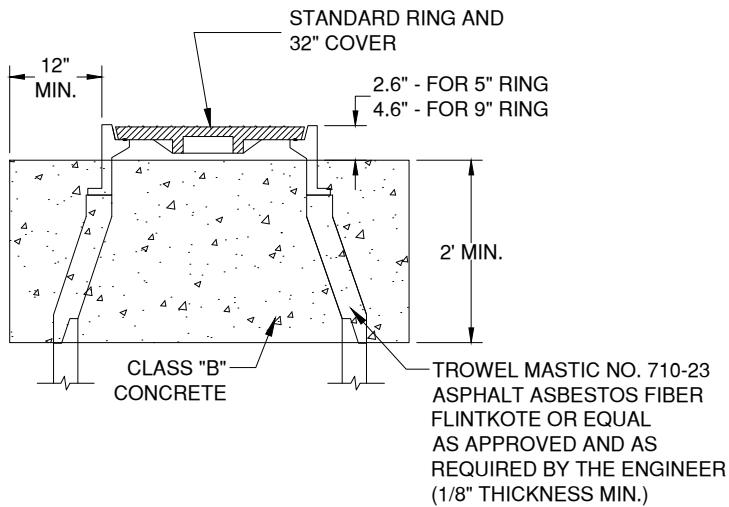


TOP VIEW



SECTION "A-A"



MANHOLE RING

ENCASEMENT DETAIL
(ALL MANHOLES)

NOTE:
MANHOLE RING ENCASEMENT IS REQUIRED ON ALL MANHOLES EXCEPT MANHOLES IN NEW OR EXISTING STREETS WHERE AS DIRECTED BY THE ENGINEER.