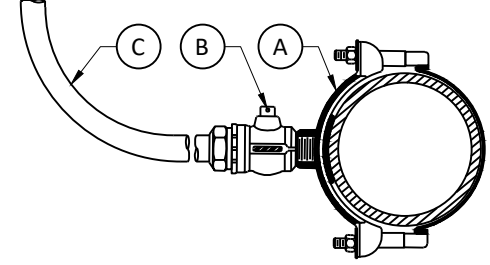
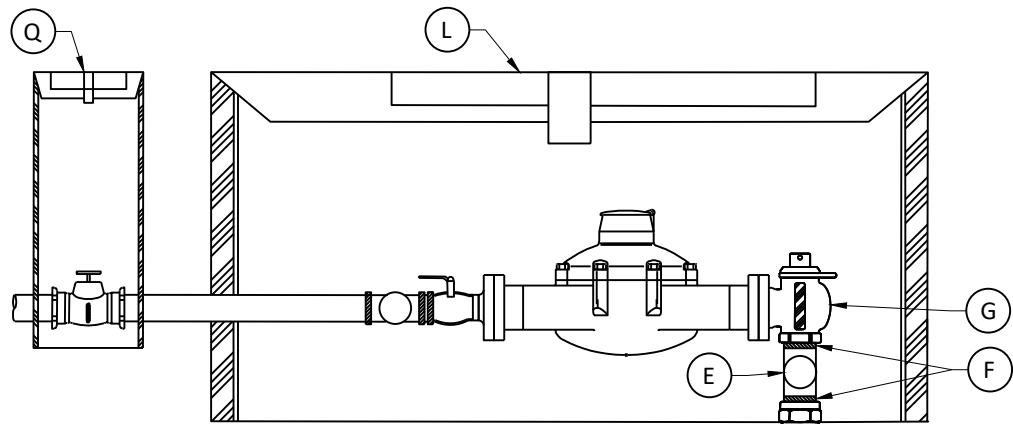
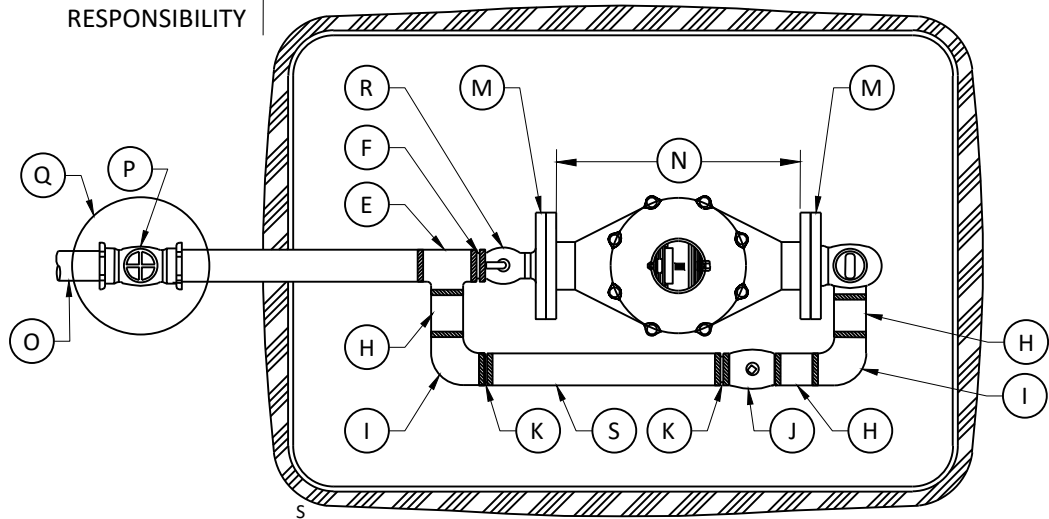


PROPERTY OWNER'S RESPONSIBILITY ← | → NBU RESPONSIBILITY



NOTES:

1. WATER SERVICE PIPE SHALL BE BLUE POLYETHYLENE PIPE, COPPER TUBING SIZE (CTS), MEETING THE REQUIREMENTS OF AWWA C901 AND NSF 61 CERTIFIED FOR USE WITH POTABLE DRINKING WATER.
2. SERVICE SADDLE SHALL BE WRAPPED COMPLETELY WITH 8 MIL POLYETHYLENE FILM.
3. TOP OF BOXES TO BE 1" ABOVE GROUND.
4. ALL 1-1/2" AND 2" METERS SHALL BE INSTALLED ON SEPARATE SERVICE CONNECTIONS.
5. PIPING AND TUBING IN STREET RIGHT-OF-WAY SHALL BE BEDDED IN GRANULAR MATERIALS AS REQUIRED BY SPECIFICATIONS; BACKFILL ABOVE GRANULAR BEDDING AS REQUIRED BY SPECIFICATIONS.
6. METER BOX LOCATIONS SHALL BE AS PER DETAILS 402 THROUGH 409, UTILITY LAYOUTS.
7. METER BOXES SHALL NOT BE PLACED IN SIDEWALKS, DRIVEWAYS, PARKING AREAS, OR VEHICULAR TRAFFIC AREAS.
8. ANGLE STOP PLACED A MAXIMUM OF 4" FROM BACK OF BOX THAT FACES CURB.
9. SERVICES FOR NON-RESIDENTIAL CUSTOMERS OR IRRIGATION USES SHALL BE EQUIPPED WITH A BACKFLOW PREVENTION ASSEMBLY AS REQUIRED BY THE BACKFLOW PREVENTION POLICY. BYPASS NOT PERMITTED ON SERVICES THAT ARE IRRIGATION ONLY.